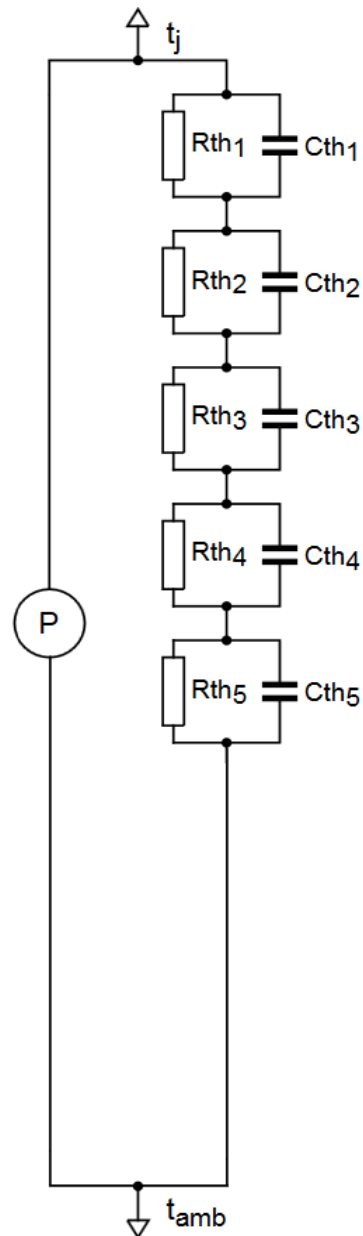


SPICE thermal model

PSMN1R3-30YL

| Symbol | Parameter | Conditions | Min | Typ | Max | Unit |
|----------------|---|------------|-----|------|-----|------|
| $R_{th(j-mb)}$ | thermal resistance from junction to mounting base | | - | 0.40 | - | K/W |

| | |
|-----------|--------------------|
| C_{th1} | 6.388E-03 F |
| C_{th2} | 1.061E-02 F |
| C_{th3} | 4.866E-03 F |
| C_{th4} | 1.991E-02 F |
| C_{th5} | 3.524E+01 F |
| R_{th1} | 9.233E-04 Ω |
| R_{th2} | 2.256E-02 Ω |
| R_{th3} | 8.994E-02 Ω |
| R_{th4} | 2.854E-01 Ω |
| R_{th5} | 1.151E-03 Ω |



Part: PSMN1R3-30YL

Date: 8/3/2018

Model Rth 0.40 K/W